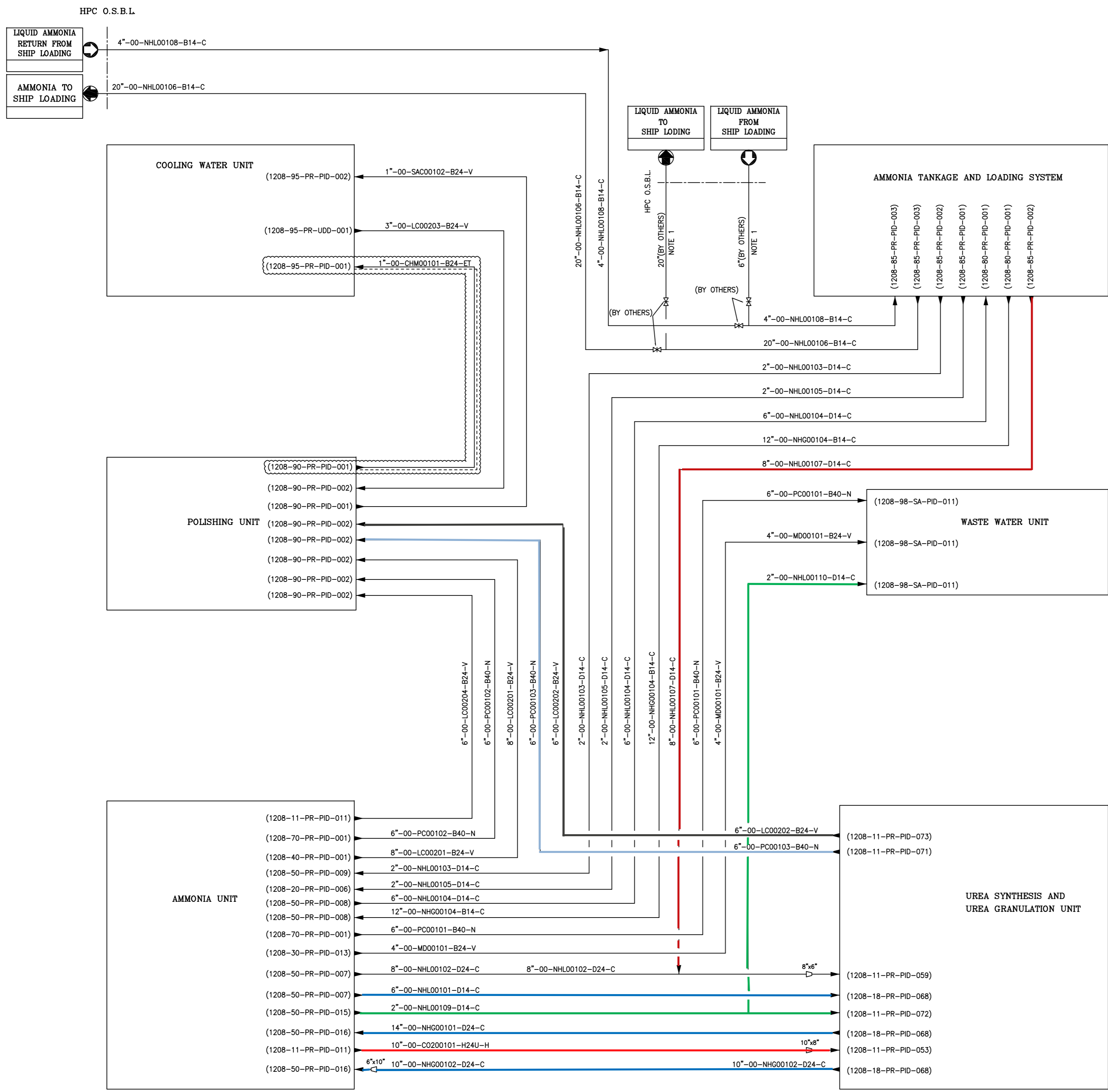


| | |
|-----------------------------|-----------------------|
| REFERENCE DRAWING | DWG. NO. |
| SYMBOLS AND IDENTIFICATIONS | 1208-02-PR-PID-001-02 |

NOTES:
 1- LINE AND VALVES ARE OUT OF PIDEC SCOPE OF WORK AND SUPPLY (BY OTHERS).

**MP AMMONIA RECOVERY
 CO2 COMPRESSION PACKAGE
 STEAM RECOVERY TOWER,
 CONDENSATE ACCUMULATOR, STEAM
 CONDENSATE COOLER & PUMP
 PROCESS CONDENSATE COOLER
 CARBONATE CLOSE DRAIN SYSTEM
 NH3 CHILLING SEPARATOR**



| DE | EXT | AFC | A |
|------------|-------------------------------|------------------------|----------------|
| Eng. Phase | Purpose of Distribution (POD) | Purpose of Issue (POI) | Owner's Action |
| | | | |

| REV. | ISSUE DATE | DESCRIPTION | PREPARED BY | CHECKED BY | APPROVED BY | PROJECT |
|------|------------|---------------------------------------|-------------|------------|-------------|--------------|
| 05 | 11.04.2022 | APPROVED FOR CONSTRUCTION | F.Mirzaki | A.Azma | A.Azma | M.Saremi |
| 04 | 21.02.2021 | APPROVED FOR CONSTRUCTION | M.Falraei | A.Azma | A.Azma | M.Saremi |
| 03 | 15.09.2020 | APPROVED FOR CONSTRUCTION (AFC) | F.Mirzaki | A.Azma | A.Azma | M.Saremi |
| 02 | 30.12.2017 | APPROVED FOR CONSTRUCTION (WITH HOLD) | F.Mirzaki | A.Azma | A.Azma | M.Saremi |
| 01 | 20.02.2013 | ISSUED FOR ENGINEERING | S.Tamadon | A.Azma | A.Banasaz | S.Foostapour |
| 00 | 06.11.2012 | ISSUED FOR ENGINEERING | A.R.Naji | S.Tamadon | A.Banasaz | S.Foostapour |

OWNER:

MC:

EPC CONTRACTOR:

PROJECT: HENGAM FERTILIZER PROJECT

TITLE: DISTRIBUTION DIAGRAM
 PROCESS LINES IN UNITS INTERCONNECTION

| | | | | |
|--------------|-------------------------|------------------------------|---------|----------|
| SCALE: N.T.S | OWNER PROJECT NO.: NA | DWG. NO.: 1208-00-PR-UDD-002 | REV: 05 | SIZE: A2 |
| SHT.: 1 OF 1 | PIDEC PROJECT NO.: 1208 | | | |