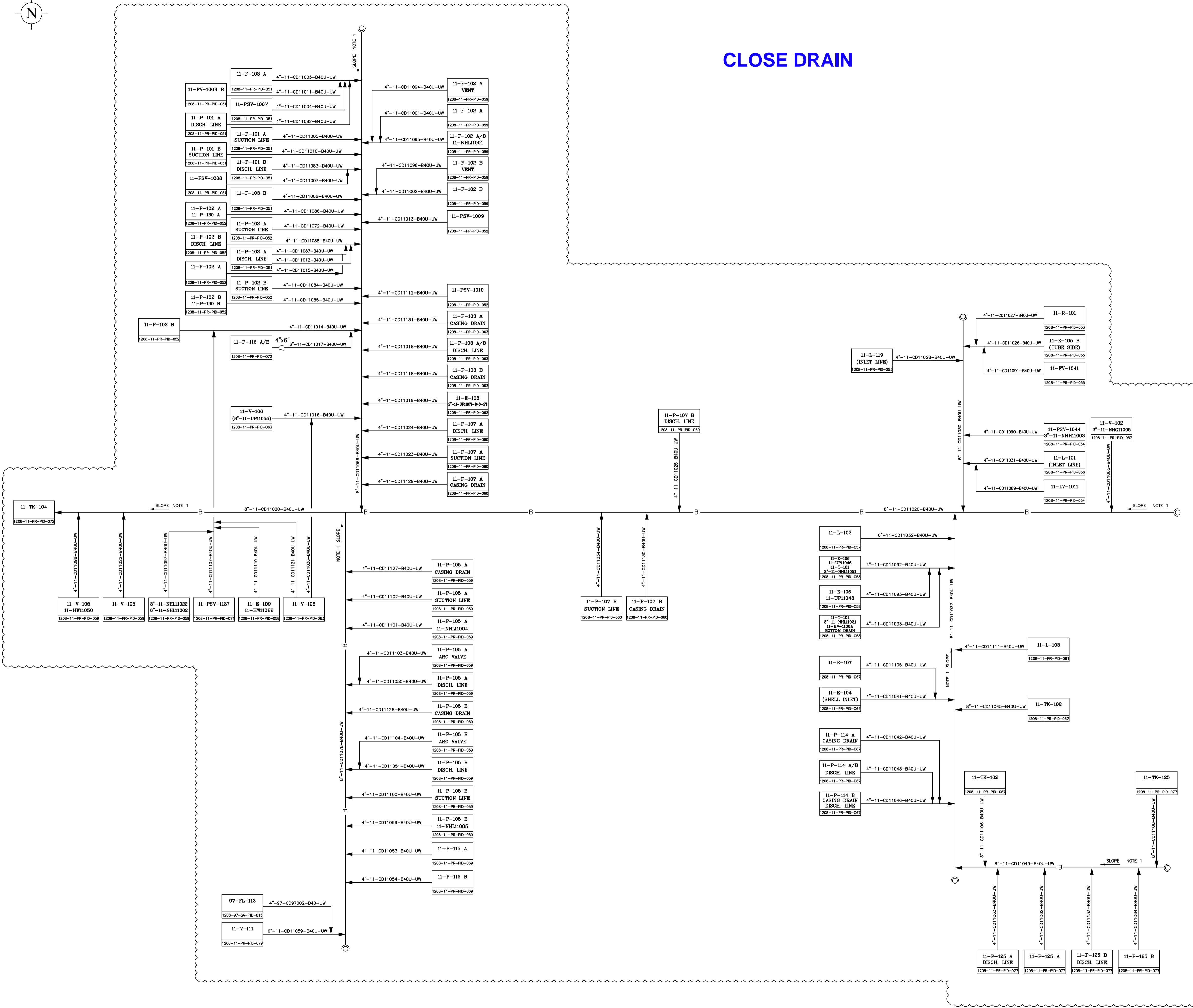


CLOSE DRAIN

NOTES:
1- NO POCKET IN MAIN HEADERS AND SLOPE TOWARD 11-TK-104.

GENERAL NOTES:
- ALL LINES ON THIS DWG. ARE BURIED.



DE	EXT	AFC	A
Eng. Phase	Purpose of Distribution (POD)	Purpose of Issue (POI)	Owner's Action

REV.	ISSUE DATE	DESCRIPTION	PREPARED BY	CHECKED BY	APPROVED BY	PROJECT
02	18.10.2021	APPROVED FOR CONSTRUCTION	M.Fakhraei	A.Azma	A.Azma	M.Saremi
01	04.09.2021	APPROVED FOR CONSTRUCTION	M.Fakhraei	A.Azma	A.Azma	M.Saremi
00	22.12.2018	ISSUED FOR ENGINEERING	F.Mirzadeh	A.Azma	A.Azma	M.Saremi

OWNER:	MC:	EPCC CONTRACTOR:

PROJECT: HENGAM FERTILIZER PROJECT

TITLE: UTILITY DISTRIBUTION DIAGRAM
CLOSED DRAIN FOR UREA PLANT

SCALE: N.T.S	OWNER PROJECT NO.: NA	DWG. NO.: 1208-01-PR-UDD-057	REV. 02	SIZE: A2
SH. 1 OF 1		PIDE PROJECT NO.: 1208		

THIS DOCUMENT IS THE PROPERTY OF P.I.E.C. IT IS CONFIDENTIAL AND ALL RIGHTS RESERVED. NEITHER THE WHOLE NOR PART OF THIS DOCUMENT MAY BE DISCLOSED TO ANY THIRD PARTY. REPRODUCED, STORED IN ANY RETRIEVAL SYSTEM OR TRANSMITTED IN ANY FORM OR BY ANY MEANS WITHOUT THE PRIOR WRITTEN CONSENT OF P.I.E.C.