

LUBE OIL RUNDOWN TANK

REMARKS
OPERATING CONDITIONS MEAN AS FOLLOWS.

Q: FLOW	NOR/DES	(m ³ /h)
P: PRESSURE	NOR/DES	(barG)
T: TEMPERATURE	NOR/DES	(°C)

NOTE: 1 ALL SIGNALS WILL BE REPEATED IN FCS (BY REDUNDANT MODBUS).
NOTE: 2 TT(S) AND TG(S) ARE 1 1/2" FLANGE TYPE AND ACCORDING TO ANSI B16.5, EXCEPT FOR RATING 1500# AND HIGHER THAT ARE WELDED TYPE (IF ANY).
NOTE: 3 ALL TAG NUMBERS HAVE PREFIX OF 11. FOR EXAMPLE 11-LT-10102.
NOTE: 4 ALL THE MANUAL & CHECK VALVE IS STANDARD TYPE OF VALVE.

Q:	57.3/70.8
P:	1.4/4.8
T:	59/91

LUBE OIL SUPPLY
VD-1208-301B-PID-403 B11

Q:	63.3/78
P:	ATM/3.5
T:	~73/91

- No Comment
- Comment As Marked, Manufacturing May Proceed
- Major Comment As Marked, Manufacturing Shall Be On Hold For The Next Revision.
- Rejected, New Document With The Same Revision No. shall be Issued
- For Information

Name: _____ Req. No.: _____ Seq. No.: _____
Signature: _____ Date: _____
Purchaser review & comments does not absolve the vendor of the responsibility for the correct design, manufacturing and operation of the equipment.

DE	Eng. Phase	Purpose of Distribution (POD)	Purpose of Issue (POI)	Purchaser's Action
06	24.02.2021	ISSUED FOR APPROVAL	SunHongmei, WuYang, XieShuangjun, WangZhiyun	
04	15.08.2016	ISSUED FOR APPROVAL	SunHongmei, WuYang, XieShuangjun, WangZhiyun	
03	10.11.2015	ISSUED FOR APPROVAL	SunHongmei, WuYang, XieShuangjun, WangZhiyun	
02	16.6.2015	ISSUED FOR APPROVAL	SunHongmei, WuYang, XieShuangjun, WangZhiyun	
01	20.1.2015	ISSUED FOR APPROVAL	YangXiaolong, WuQing, XieShuangjun, WangZhiyun	

REV.	ISSUE DATE	DESCRIPTION	PREPARED BY	CHECKED BY	APPROVED BY	AUTHORIZED BY

OWNER:

MC:

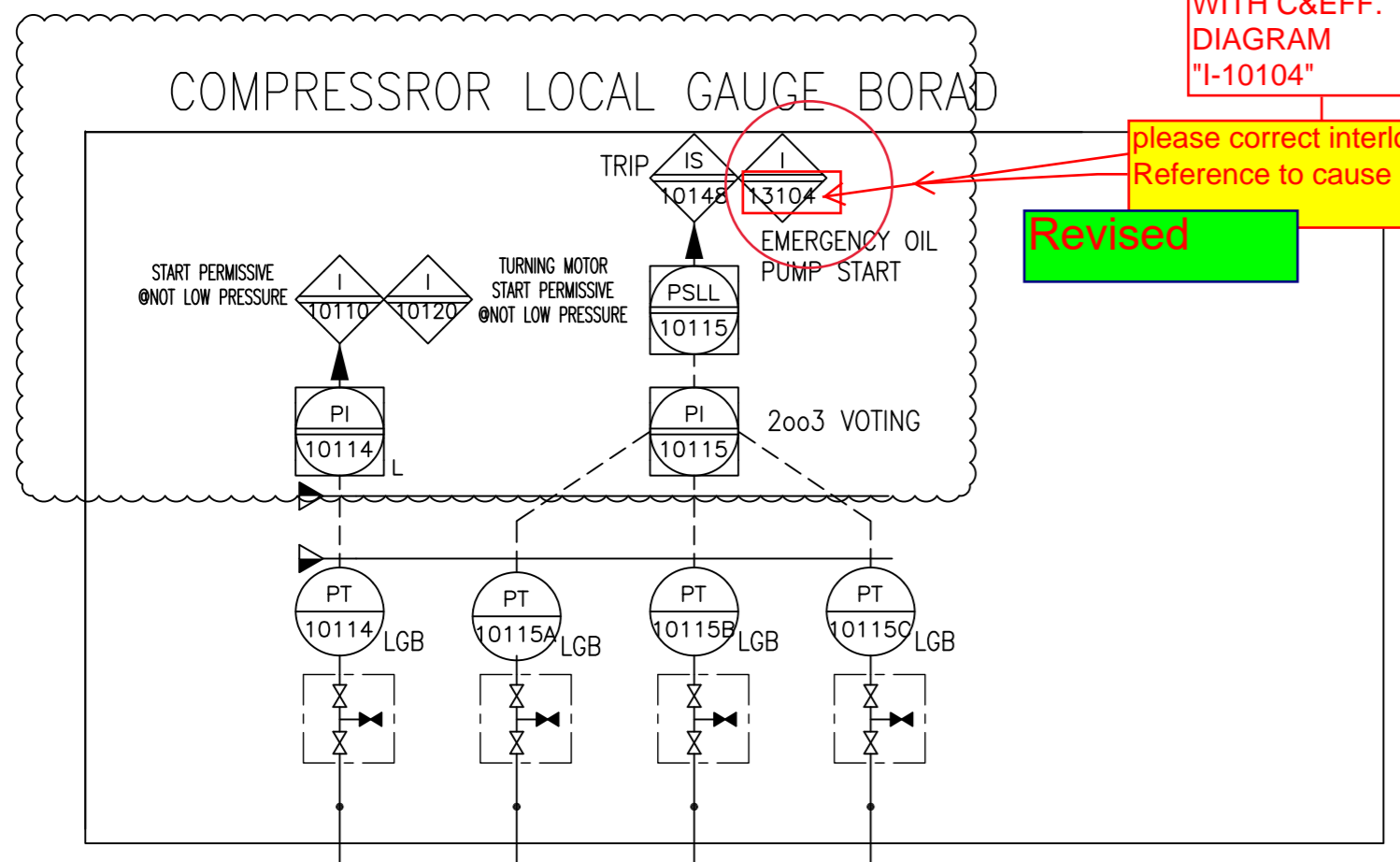
EPCC CONTRACTOR:

PROJECT: HENGAM FERTILIZER PROJECT

VENDOR: **NEWJCM** 锦州新锦化机械制造有限公司
Jinzhou NEWJCM Machinery Manufacture Co., Ltd

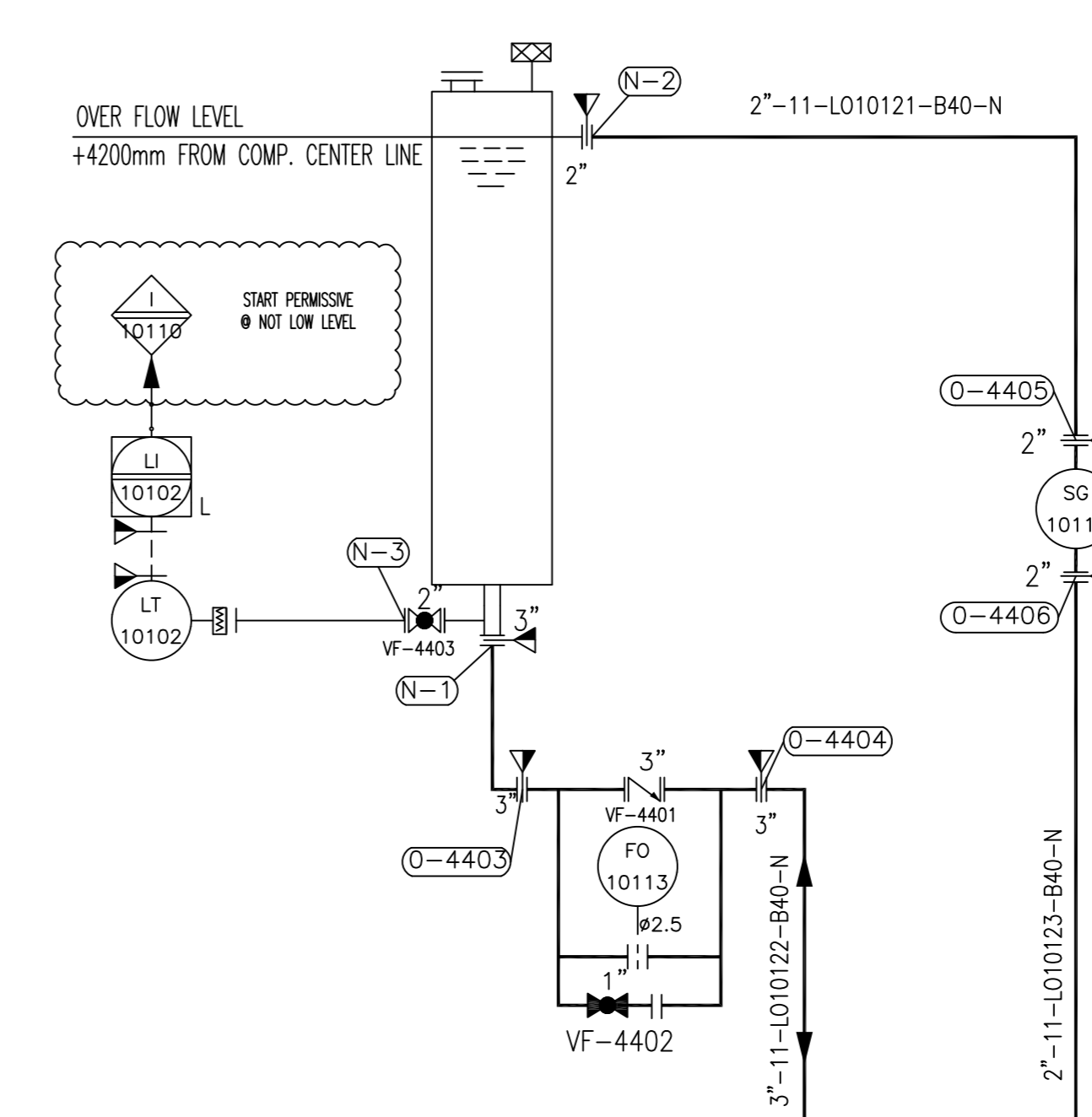
TITLE: **LUBE OIL SYSTEM (BASE)
CO2 COMPRESSOR (11-C-101)**

SCALE: N.T.S	OWNER PROJECT NO.: NA	VENDOR DWG. NO.:	REV. SIZE:
SHT: 1 OF 1	PIDEC PROJECT NO.: 1208	PIDEC DWG. NO.: VD-1208-301B-PID-404	05 A1



IS NOT IN LINE WITH C&EFF. DIAGRAM "I-10104"
 please correct interlock tag number based Reference to cause & effect
 Revised

LUBE OIL RUNDOWN TANK



NOTE: 1 ALL SIGNALS WILL BE REPEATED IN FCS(BY REDUNDANT MODBUS) .
 NOTE: 2 TT(S) AND TG(S) ARE 1 1/2" FLANGE TYPE AND ACCORDING TO ANSI B16.5 ,EXCEPT FOR RATING 1500# AND HIGHER THAT ARE WELDED TYPE(IF ANY)
 NOTE: 3 ALL TAG NUMBERS HAVE PREFIX OF 11.FOR EXAMPLE 11-LT-10102
 NOTE: 4 ALL THE MANUAL & CHECK VALVE IS STANDARD TYPE OF VALVE.

Q: 57.3/70.8
 P: 1.4/4.8
 T: 59/91

LUBE OIL SUPPLY
 VD-1208-301B-PID-403 B11

Q: 63.3/78
 P: ATM/3.5
 T: ~73/91

No Comment
 Comment As Marked, Manufacturing May Proceed
 Major Comment As Marked, Manufacturing Shall Be On Hold For The Next Revision.
 Rejected, New Document With The Same Revision No. shall Be Issued
 For Information

REVIEWED
 By sarvalishah.majid at 2:39 pm, Nov 28, 2020

Name: _____
 Signature: _____
 Date: _____

Purchaser reserves the right to require the vendor to accept the responsibility for the correct design, manufacturing and operation of the equipment.

DE	Eng.Phase	Purpose of Distribution (POD)	Purpose of Issue (POI)	Purchaser's Action
----	-----------	-------------------------------	------------------------	--------------------

05	09.01.2019	ISSUED FOR APPROVAL	SunHongmei	WuYang	XieShuangjun	WangZhiJun
04	15.08.2016	ISSUED FOR APPROVAL	SunHongmei	WuYang	XieShuangjun	WangZhiJun
03	10.11.2015	ISSUED FOR APPROVAL	SunHongmei	WuYang	XieShuangjun	WangZhiJun
02	16.6.2015	ISSUED FOR APPROVAL	SunHongmei	WuYang	XieShuangjun	WangZhiJun
01	20.1.2015	ISSUED FOR APPROVAL	YangXiaokong	WuJing	XieShuangjun	WangZhiJun

OWNER:

MC:

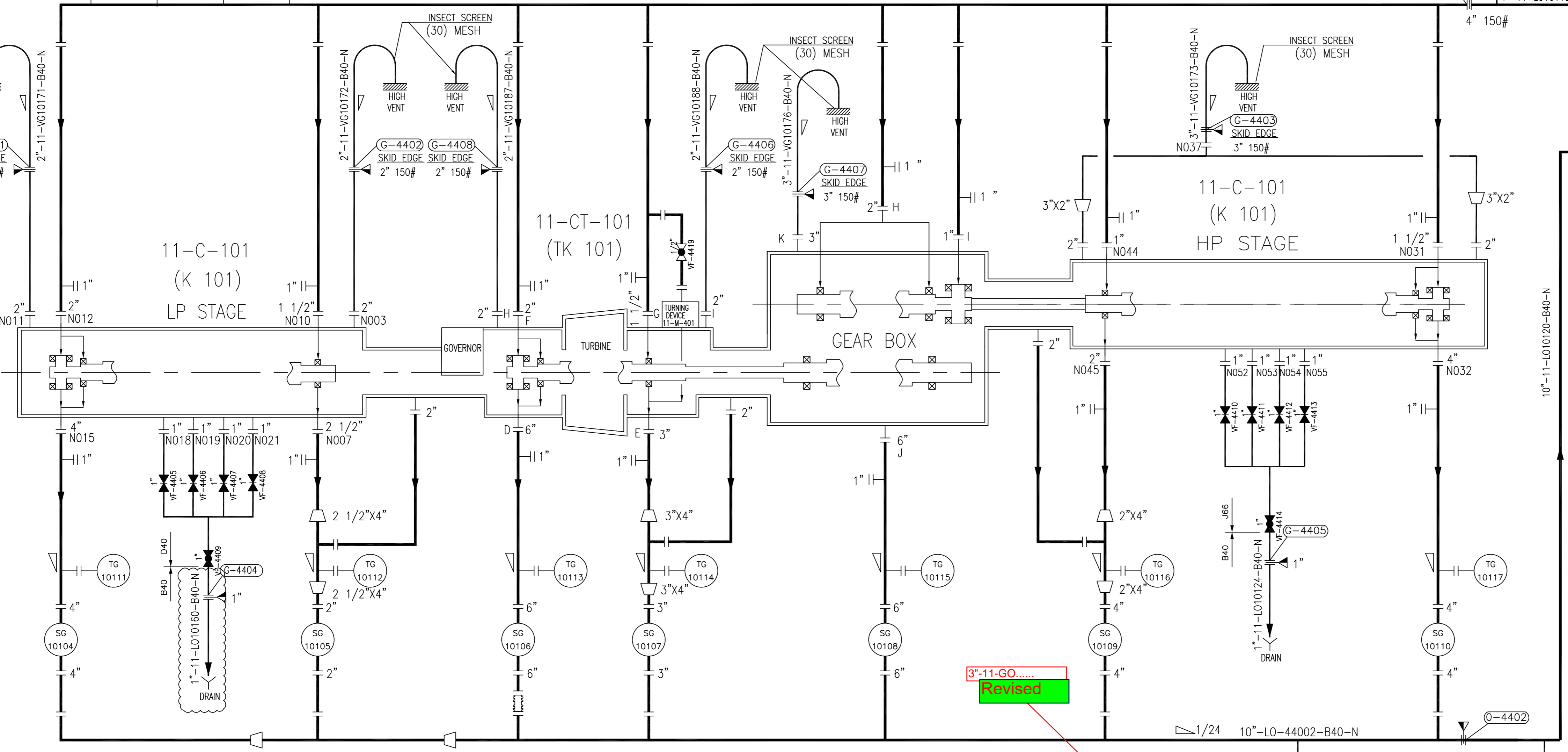
EPCC CONTRACTOR:

PROJECT: **HENGAM FERTILIZER PROJECT**

VENDOR: **NEWJCM 锦州新锦化机械制造有限公司**
 Jinzhou NEWJCM Machinery Manufacture Co.,Ltd

TITLE: **LUBE OIL SYSTEM (BASE)
 CO2 COMPRESSOR (11-C-101)**

SCALE: N.T.S	OWNER PROJECT NO. : NA	VENDOR DWG. NO. :	REV. SIZE :
SHT. : 1 OF 1	PIDEC PROJECT NO. : 1208	PIDEC DWG. NO. : VD-1208-301B-PID-404	05 A1



3"-11-GO.....
 Revised

