

NOTE 1: TT(S) AND TG(S) ARE 1 1/2" FLANGE TYPE AND ACCORDING TO ANSI B16.5 ,EXCEPT FOR RATING 1500# AND HIGHER THAT ARE WELDED TYPE(IF ANY) .

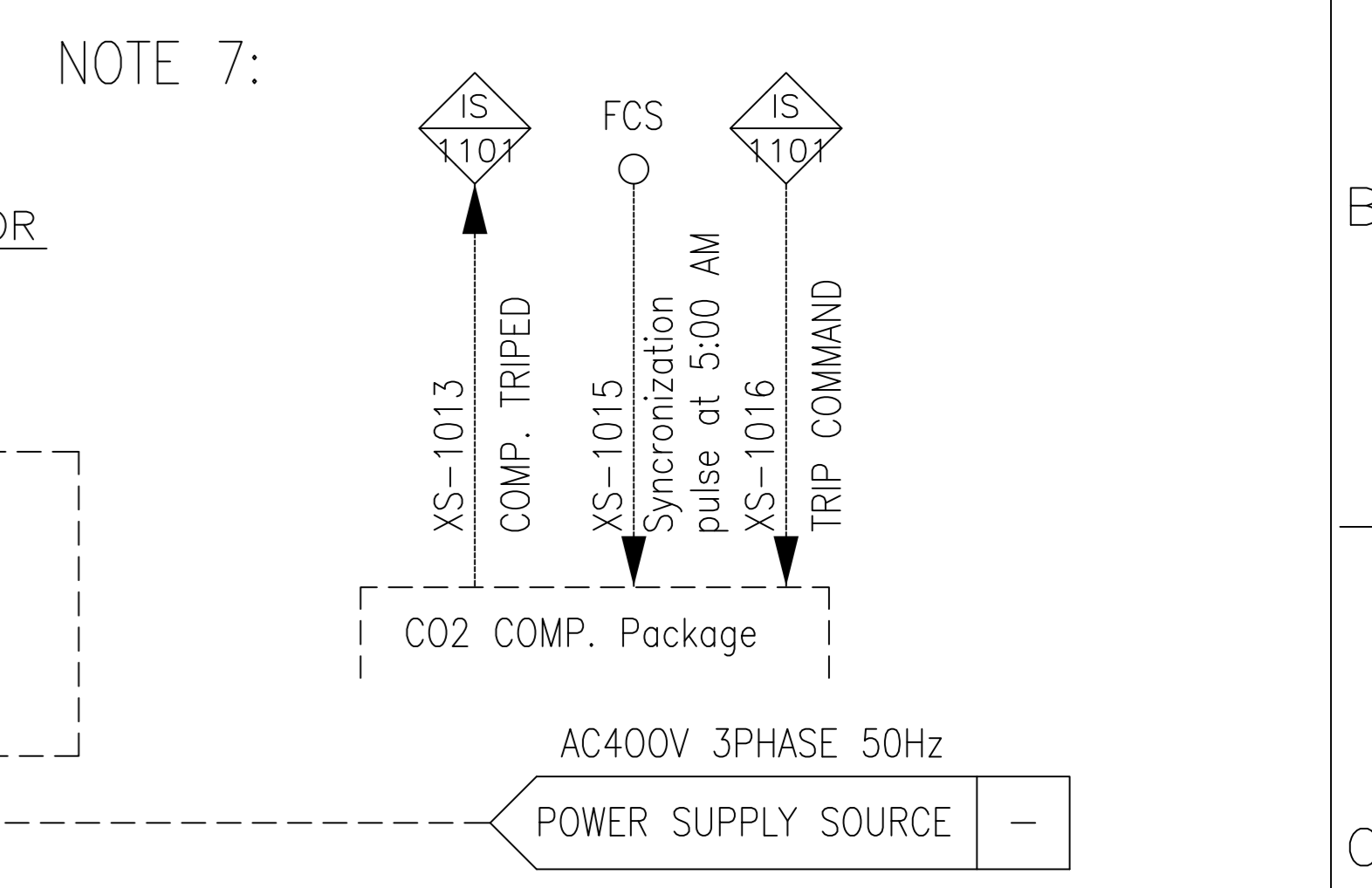
NOTE 2: ALL SIGNALS WILL BE REPEATED IN FCS (REDUNDANT MODBUS) FOR EXAMPLE 11-PT-10125.

NOTE 3: ALL TAG NUMBERS HAVE PREFIX OF 11.

NOTE 4: MPU MEANS PASSIVE MAGNETIC SENSORS.

NOTE 5: E.C.V MEANS EXTRACTION CONTROL VALVE .

NOTE 6: IS-1101 HAS P.O.S (PROCESS OVERRIDE SWITCH) FOR INACTIVATION XS-1013



NOTE 7: AC400V 3PHASE 50Hz POWER SUPPLY SOURCE

NOTE 8: SUPPLIED AS PORTABLE TOOL (N2 CHARGING KIT)

NOTE 9: ALL THE MANUAL & CHECK VALVE IS STANDARD TYPE OF VALVE.

- No Comment
- Comment As Marked, Manufacturing May Proceed
- Major Comment As Marked, Manufacturing Shall Be On Hold For The Next Revision.
- Rejected, New Document With The Same Revision No. shall Be Issued
- For Information

Name: \_\_\_\_\_ Reg. No.: \_\_\_\_\_ Seq. No.: \_\_\_\_\_  
 Signature: \_\_\_\_\_ Date: \_\_\_\_\_  
 Purchaser review & comments does not absolve the vendor of the responsibility for the correct design, manufacturing and operation of the equipment.

DE	Eng. Phase	Purpose of Distribution (POD)	Purpose of Issue (POI)	Purchaser's Action
09	14.03.2022	ISSUED FOR APPROVAL	YangKiaokang, WuQing, XieShuangjun, WangZhiJun	
08	05.04.2021	ISSUED FOR APPROVAL	YangKiaokang, WuQing, XieShuangjun, WangZhiJun	
07	22.02.2021	ISSUED FOR APPROVAL	YangKiaokang, WuQing, XieShuangjun, WangZhiJun	
06	19.11.2020	ISSUED FOR APPROVAL	YangKiaokang, WuQing, XieShuangjun, WangZhiJun	
05	09.01.2020	ISSUED FOR APPROVAL	YangKiaokang, WuQing, XieShuangjun, WangZhiJun	

OWNER:

MC:

EPC CONTRACTOR:

PROJECT: HENGAM FERTILIZER PROJECT

VENDOR: **NEWJCM** 锦州新锦化机械制造有限公司  
 Jinzhou NEWJCM Machinery manufacture Co.,Ltd

TITLE: **TURBINE GOVERNING SYSTEM PID CO2 COMPRESSOR (11-C-101)**

SCALE: N.T.S	OWNER PROJECT NO.: NA	VENDOR DWG. NO.:	REV. SIZE:
SHT.: 1 OF 1	PIDEC PROJECT NO.: 1208	PIDEC DWG. NO.: VD-1208-301B-PID-408	09 A1