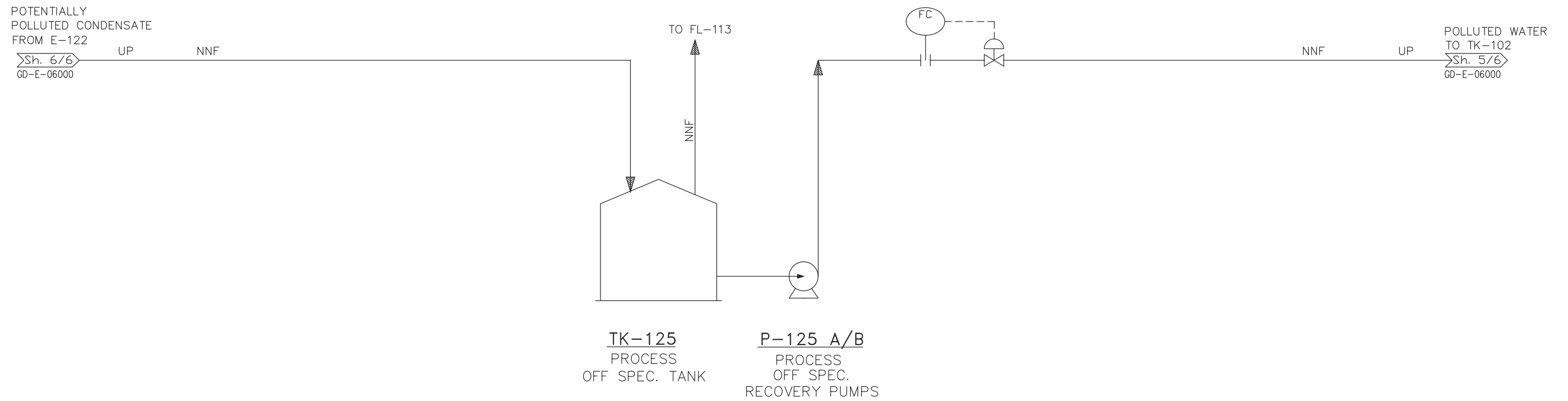


PFD



CONFIDENTIAL

This document and the information herein contained are confidential and the sole property of Saipem who will safeguard its rights according to the civil and criminal provision of the law. It shall neither be disclosed to third parties nor used for purposes other than those for which it has been disclosed.

0	27/05/16	ISSUE	RAMUNDO	TRICASE	CIANCI
REV.	DATE	DESCRIPTION	PREPARED	CHECKED	APPROVED
			DWG No. GD-D-06001 Sh 1 of 1		
HENGAM PETROCHEMICAL COMPANY ASSALUYEH, IRAN 3500 MTPD GRANULATED UREA PROJECT			JOB: 034001 Rev. 0		
PFD / HEAT & MATERIAL BALANCE UREA UNIT 11 OFF SPEC. CONDENSATE TANK AND PUMPS			SCALE IN REPLACEMENT OF REPLACED BY		
Issuer Specific Number		/	Rev. 0		