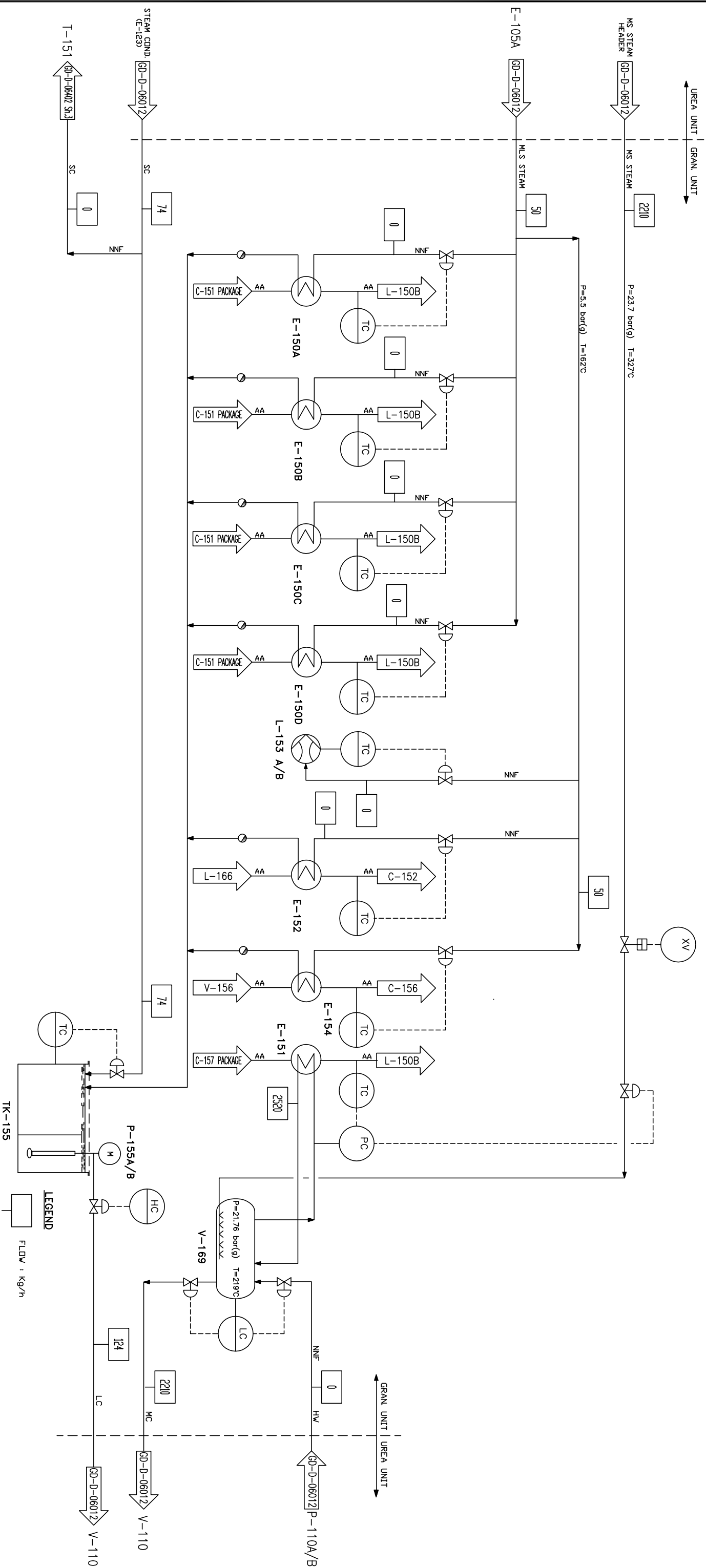


# Steam & Condensate Balance Granulation



**LEGEND**  
 FLOWV : Kg/h

REV.	DATE	ISSUE	DESCRIPTION	PREPARED	CHECKED	APPROVED
0	07/07/16	ISSUE		RAMUNDO	ALFARO	CHIANCI

SNAAPROBETTI™  
 UREA TECHNOLOGY  
 SAIDEM

**HENGAM PETROCHEMICAL COMPANY**  
 ASSALUYEH, IRAN  
**3500 MTPD GRANULATED UREA PROJECT**  
**STEAM AND CONDENSATE BALANCE**  
 GRANULATION UNIT 18

Issue Specific Number	7	Rev.	0
JOB: 034001 SCALE: 1 of 1 IN REPLACEMENT OF:			

**CONFIDENTIAL**

This document and the information herein contained are confidential and the sole property of Snaap who will safeguard its rights according to the civil and criminal provision of the law. It shall neither be disclosed to third parties nor used for purposes other than those for which it has been disclosed.

- E-150A/B/C/D GRANULATOR FLUIDIZATION
- L-153 A/B STEAM EJECTORS
- E-152 FIRST FLUID BED COOLER
- E-154 FINAL FLUID BED COOLER
- E-151 GRANULATOR ATOMIZATION
- TK-155 GRANULATION STEAM CONDENSATE RECOVERY TANK
- P-155A/B GRANULATION STEAM CONDENSATE PUMPS
- V-169 ATOMIZATION AIR STEAM SATURATOR