

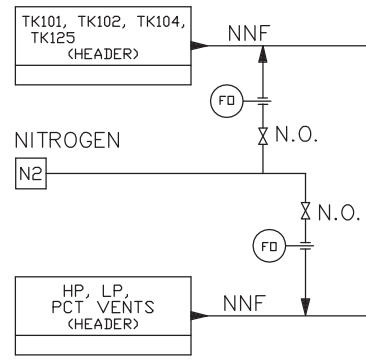
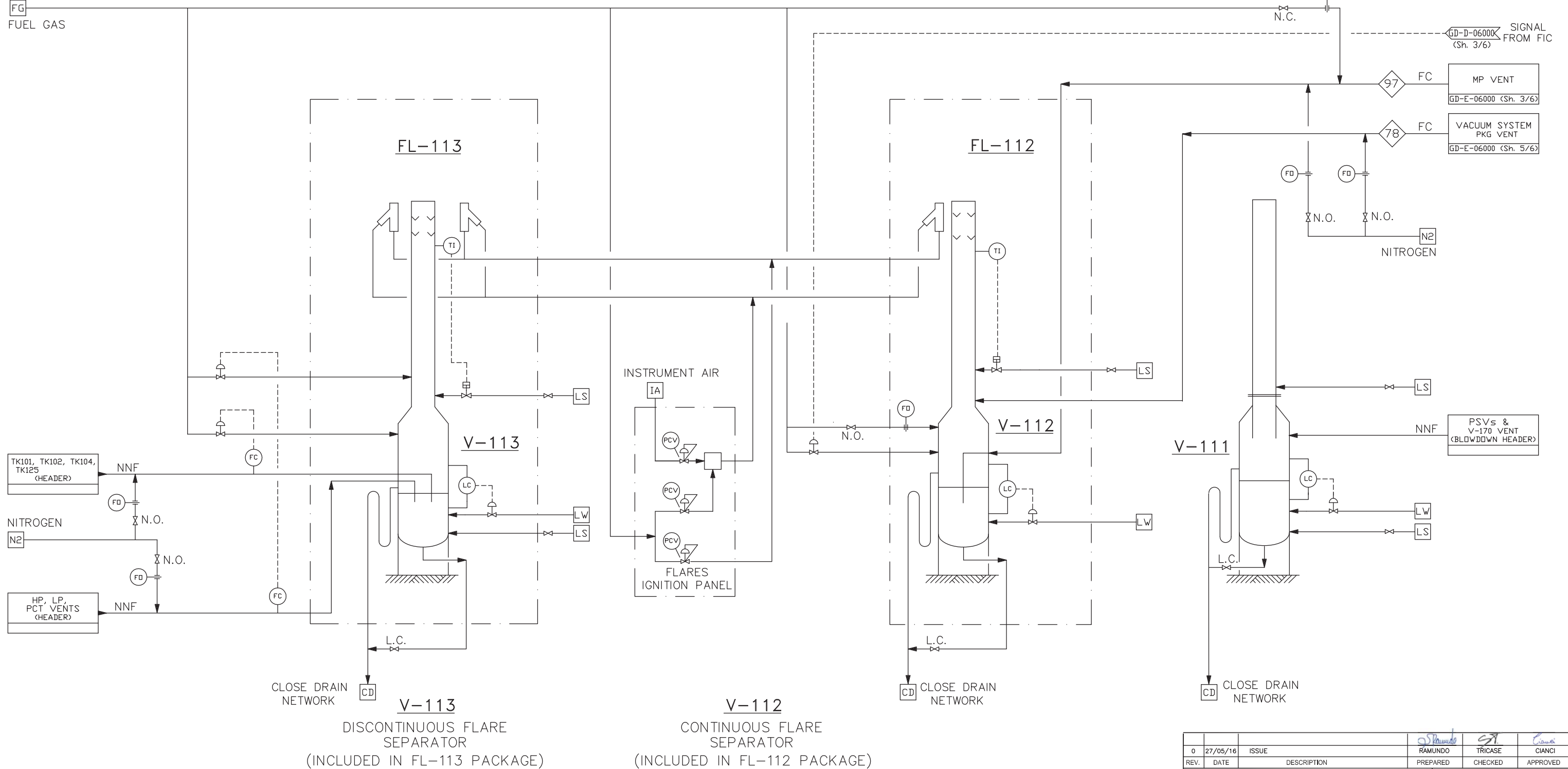
Flare

STREAM NUMBER		78	97
STREAM DESCRIPTION	(1)	Inerts from Vac. Syst.	MP Vent to FL-112 GAS
PHYSICAL STATE			GAS
composition (4)	NH3	%wt	
	CO2	%wt	
	UREA	%wt	
	H2O	%wt	
	CH2O	%wt	
	BIURET	%wt	
FLOW RATE		(6)	NNF (3)
TEMPERATURE		kg/h	m ³ /h
PRESSURE		°C	
DENSITY		bar abs	
MOLECULAR WEIGHT		kg/m ³	
		kg/kmol	

FL-113
UREA
DISCONTINUOUS FLARE
PACKAGE

FL-112
UREA
CONTINUOUS FLARE
PACKAGE

V-111
BLOW DOWN
SEPARATOR



V-113
DISCONTINUOUS FLARE
SEPARATOR
(INCLUDED IN FL-113 PACKAGE)

V-112
CONTINUOUS FLARE
SEPARATOR
(INCLUDED IN FL-112 PACKAGE)

NOTES

- FIGURES INDICATED IN THE MATERIAL BALANCE ARE THOSE EXPECTED AND MAY BE ALTERED IN ORDER TO ACHIEVE THE REQUIRED PLANT PERFORMANCE.
- COMPOSITION ON INERTS FREE BASIS.
- NNF: NORMALLY NO FLOW.
- NUMBER OF PILOTS TO BE DEFINED BY FLARE MFR.
- THE FLARES SCHEME IS ONLY FOR REFERENCE, TO BE FINALIZED DURING DETAILED ENGINEERING PHASE.
- TO BE CONFIRMED BY PU-105 MANUFACTURER.

LEGEND

- STREAM NUMBER
- HEAT DUTY Gcal/h

0	27/05/16	ISSUE	RAMUNDO	TRICASE	CIANCI
REV.	DATE	DESCRIPTION	PREPARED	CHECKED	APPROVED
			DWG No. GD-D-06002 Sh 1 of 1		
HENGAM PETROCHEMICAL COMPANY ASSALUYEH, IRAN 3500 MTPD GRANULATED UREA PROJECT			JOB: 034001 Rev. 0		
PFD / HEAT & MATERIAL BALANCE UREA UNIT 11 BLOW DOWN & FLARES SYSTEM			SCALE IN REPLACEMENT OF REPLACED BY		
Issuer Specific Number		/	Rev. 0		